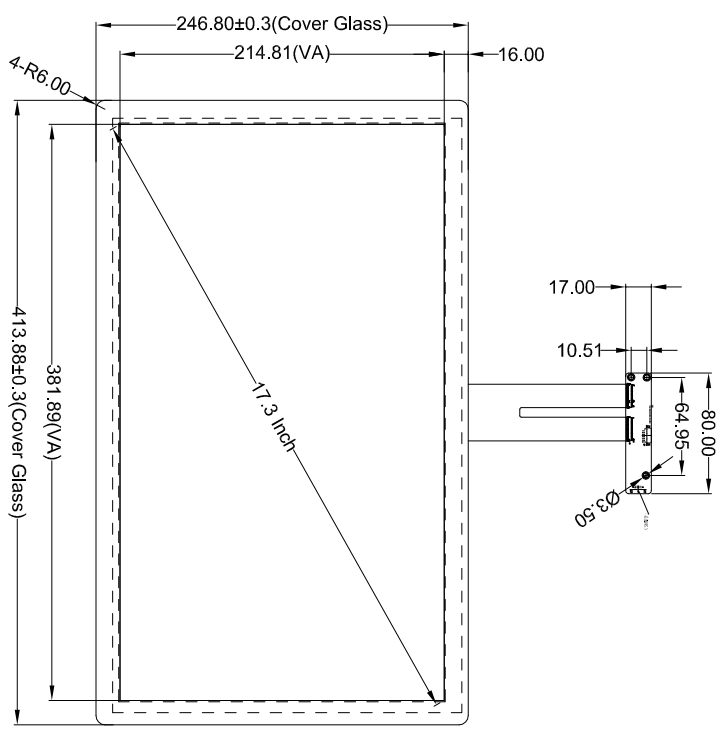


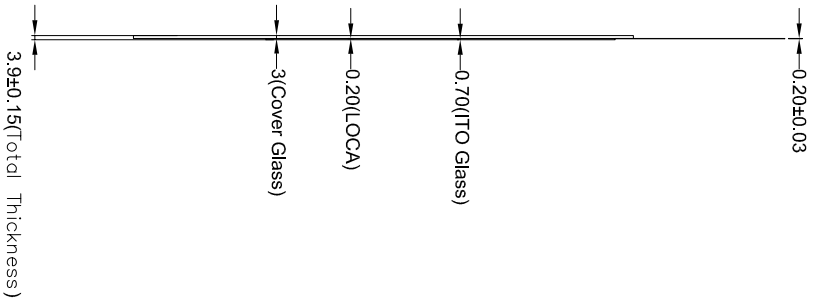


REV	MARK	HISTORY	DATE	NAME
REV.0	—	—	2018.05.10	ZH

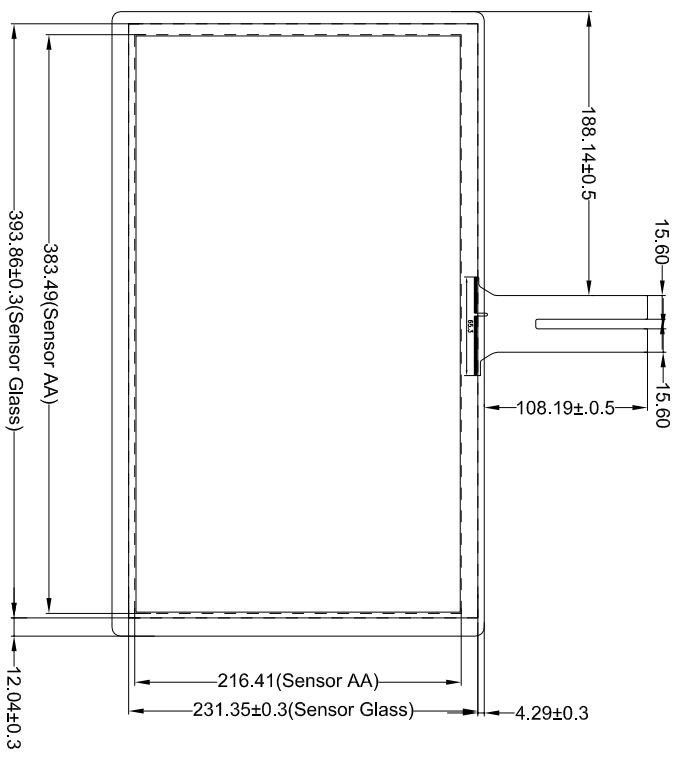
Front View



Side View



Back View



Notes:

- 1.TP Structure: G+G;
- 2.TP Type: COB;IC: ILITEK2302,
- 3.Transmittance: ≥90%
- 4.Hardless: >6H
- 5.Operating conditions: -20°C~+70°C, ≤85%RH
- 6.Storage conditions: -20°C~+75°C, ≤85%RH
- 7.Unspecified tolerance:±0.2mm
- 8.All materials in the drawing comply with the Rosh

AC-C173001 Drawing				SHEET		UNIT	SCALE	1st ANGLE PROJECTION											
DESIGN	DATE	DATE	DATE	1 of 1	m m	1 : 1	<table border="1"> <tr><td>PIN</td><td>定义</td></tr> <tr><td>1</td><td>VDD/S</td></tr> <tr><td>2</td><td>D-</td></tr> <tr><td>3</td><td>D+</td></tr> <tr><td>4</td><td>GND</td></tr> </table>			PIN	定义	1	VDD/S	2	D-	3	D+	4	GND
PIN	定义																		
1	VDD/S																		
2	D-																		
3	D+																		
4	GND																		
JSY	DATE	2018.05.10	深圳市安触科技有限公司 ShenZhen An-Touch Optics Tech.Co.,Ltd																